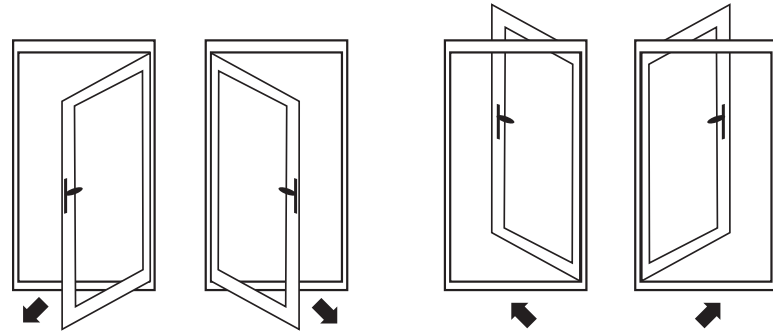


Specifications

Dimensions Door/Panel Configurations and Finished Sizes

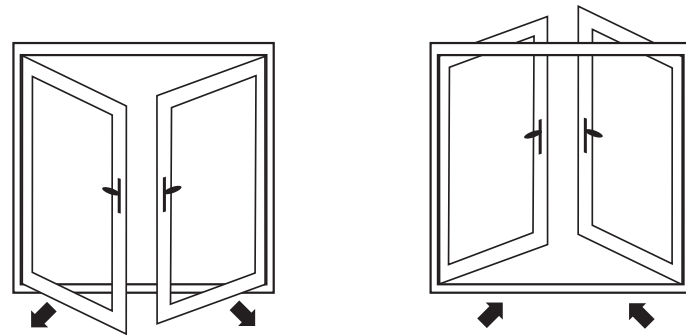
1 Panel

Single Door Swings Into the Room
(from left or right)
Single Door Swings Out of the Room
(from left or right)
Finished Sizes
31 1/2 W x 79 1/2 H
35 1/2 W x 79 1/2 H



2 Panels

Double Doors Swing Into the Room
(from centre)
Double Doors Swing Out of the Room
(from centre)
Finished Sizes
59 1/2 W x 79 1/2 H
71 1/2 W x 79 1/2 H



Performance Essex Swing Patio Door Series meets Class R-PG35 - Type SHD

Standards	Air Tightness	Water Tightness	Positive Design Pressure
AAMA/WDMA/CSA 101/1.5.2/A440-08	Passed / A3	5 psf	DP35



Distributed By:

Our products meet the Energy Star program guidelines for helping businesses and individuals protect the environment through superior energy efficiency.



www.sunviewdoors.com

The most advanced vinyl
Superior quality
Beauty and performance
Reliability
Energy efficiency



Essex
Swing Patio Door Series



Features

Hardware & Glass Options



There is nothing quite like a **Sunview Essex Swing Patio Door**. The execution of an uncompromising vision in advanced vinyl. It was conceived to create unmatched performance with the satisfying vistas only a swinging patio door can provide. From its secure five-point locking system to its superior energy-efficient dual-glazed Low E glass, it's your best choice for quality, design and functionality.



Sentry Adjustable hinges provide strength and security. Vertical and horizontal adjustment creates that perfect fit.



Multi-point lock

Optional Decorative Glass, Inserts and Screens



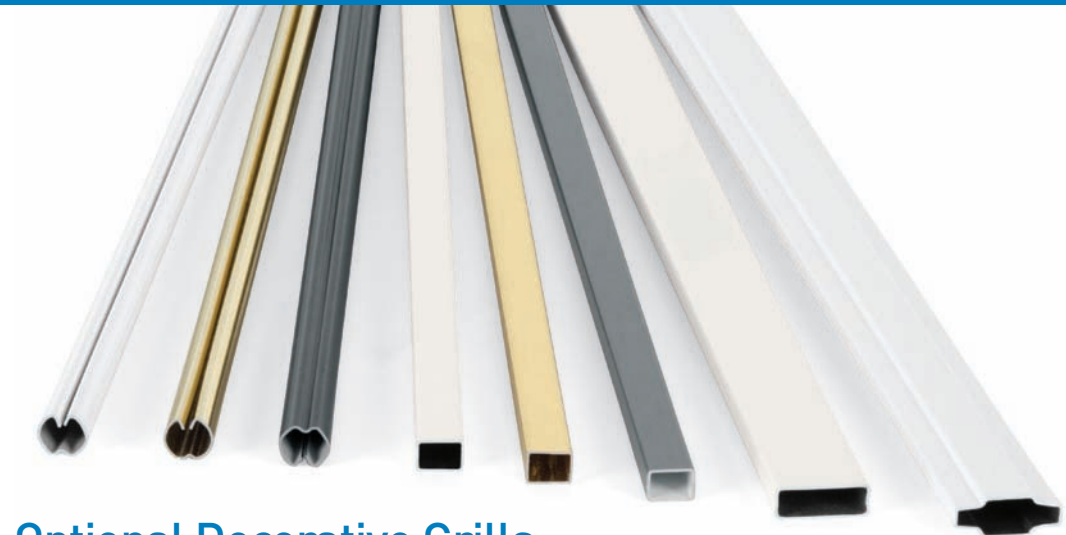
Venice (wrought iron)



Spectrum (decorative bevels)



Retractable Screen



Optional Decorative Grills

Internal grills are available in a wide range of design styles with colours that include Flat Grills in Two-tone, White, Brass and Pewter; Georgian Grills in White, and Pencil Grills in White, Brass and Pewter.

Optional Internal Mini-Blinds

- Fingertip operation
- No external cords
- No dusting
- Low-E glass

From maximum visibility to complete privacy at the tip of a finger. Slide the lever to raise, lower or tilt the mini-blinds which are sealed between the insulated glass unit ensuring complete maintenance-free operation.



Raise and lower operation lever

Durable Sash

- Reinforced with steel to withstand higher wind loads
- 1" sealed units for optimal thermal performance
- 45° welded corners for superior strength and water resistance

Frame & Panel

- 4⁷/₈" welded frame
- Double perimeter seal for superior air-tightness
- Components easily installed and replaceable
- Inswing or outswing configuration
- Adjustable hinges

Glazing

Enhancing the outstanding thermal efficiency is the high-performance glazing found in **Cardinal® Low-E glass** and **Edgetech Super Spacer®** technology.



Stays warm in winter

Super Spacer®



Standard Elegant Hardware

A unique handle set with integrated keylocks. Available in White, Black, Satin Nickel, Polished Brass or Oil Bronze.

Multi-point Lock. A heavy-duty, stainless steel locking system which provides **five** locking points on the door frame, comes as standard hardware.

Optional Frame and Sash

- 1¹/₄", 2", or 3³/₈" frame extensions
- 4¹/₂" sill plate
- Brick mold
- Sill extensions

Optional Exterior Colours

Sunview Patio Doors boast a wide range of colour options that feature a finish which is U.V. stable, has a superior adhesion process and is impact resistant.

